



Important Notes:

- This paper contains **FIVE** questions in **FOUR** pages.
- Attempt **ALL** questions.
- Total Marks: **80**

Q.1 [24 Marks, 3 each] Underline the false statement, explain why it is wrong and correct it:

1.

- Moore's law states that the number of transistors in a chip will double every two years.
- In Von Neumann architecture, MPU can read RAM and ROM simultaneously.
- In parallel processing next instruction is fetched while the current instruction executes.

Correction:

.....
.....
.....

2.

- Fax machine is an example of a microcomputer system.
- The number of bits per second sent or received by AVR is known as clock speed.
- When AVR is designed as LCD controller it is known as special purpose AVR.

Correction:

.....
.....
.....

3.

- An 8-bit ALU can process only 1 byte of data at a time.
- Every AVR microcontroller has an interrupt controller.
- Arduino Uno has up to 20 MIPS Throughput.

Correction:

.....
.....
.....

4.

- SEI is considered one of data transfer instructions.
- AVR ALU is directly connected to register file.
- ROM data bus of ATmega328p is 16-bit wide.

Correction:

.....
.....
.....



5.

- To access a 1KB memory, data and address lines must be 8 data lines and 8 address lines.
- Storage bits in SRAM are made of Flip-flop.
- MOV instruction is used in register addressing mode.

Correction:

.....
.....
.....

6.

- ATmega328p has 23 digital I/O lines distributed in three ports B, C and D.
- Port C pins PC0 to PC5 can be used as analog inputs.
- Clearing all bits of PINB makes all bits of port B as inputs.

Correction:

.....
.....
.....

7.

- In TTL logic level, logic LOW is represented by 0V and logic HIGH is represented by 5V.
- Light emitting diodes are considered TTL compatible devices.
- PC serial port is considered as TTL compatible device.

Correction:

.....
.....
.....

8.

- UART is the only ATmega328p serial interface that have an error checking technique.
- I2C technique uses only 2 lines to have full duplex data transmission hence called TWI.
- SPI is a single master multi slave protocol that uses hardware to select slaves.

Correction:

.....
.....
.....

Q.2 [8 Marks] With proper diagrams, explain in your own words one of the following:

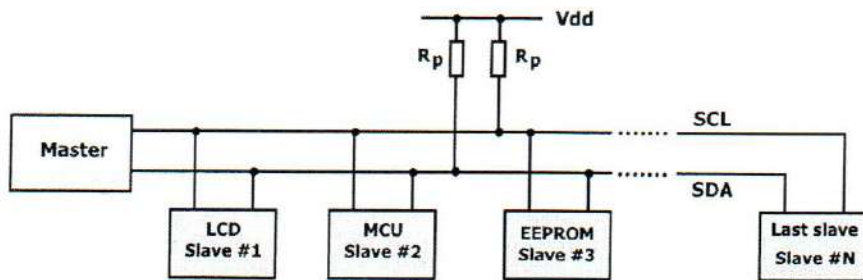
- a) Successive Approximation ADC. OR
b) H-Bridge motor driver. OR
c) Generating PWM signals using timers.

Q.3 [12 Marks] The abbreviation of College of Electronic Technology (CET) is to be serially sent from one Arduino Uno to another using UART technique. If the ASCII code for C, E and T are 0x43, 0x45 and 0x54 respectively, carry out the following tasks:

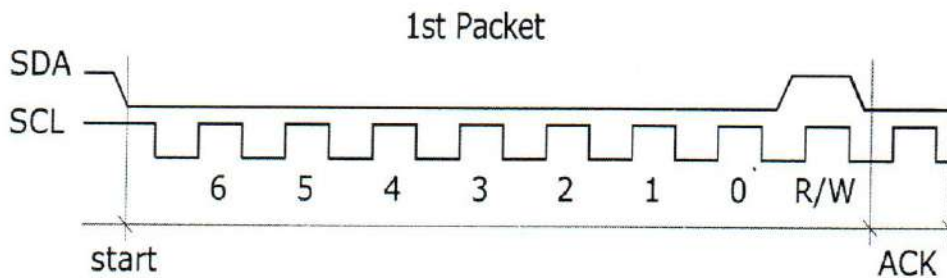
- [8 marks] Draw the resultant UART signal with 8 data bits, odd parity and two stop bits.
- [4 marks] Write assembly instructions to set transmission speed at 4800 bps.

Q.4 [12 Marks] For I2C serial communication protocol shown in figure (1), answer the following:

- [3 marks] In figure (1.a), what is the value of N of last slave? Elaborate your answer.
- [4 marks] Which slave the master is communicating with according to timing diagram in figure (1.b)?
- [5 marks] Redraw the timing diagram to represent the master reading from EEPROM?



(a)



(b)

Fig. (1)



Q.5 [24 marks] Study the circuit shown in figure (2) below and then answer the following:

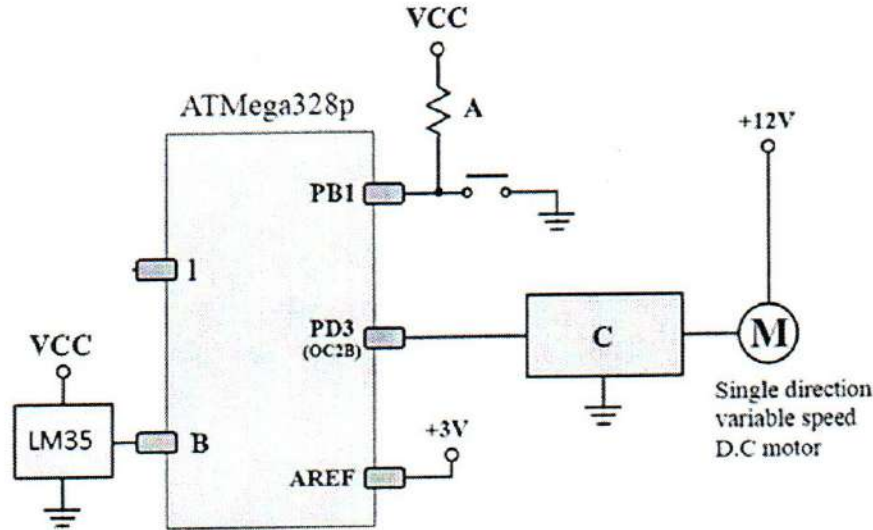


Fig. (2)

- [3 marks] What is the name and purpose of pin 1?
- [3 marks] What is the name and purpose of resistor A?
- [2 marks] Replace letter B with possible pin number?
- [4 marks] What is the digital out if voltage measured at LM35 output pin is 1V?
- [4 marks] Write assembly instruction(s) to configure AREF as shown.
- [4 marks] What is the name and purpose of block C?
- [4 marks] Write assembly instruction(s) to run the motor at quarter of its maximum speed.

END OF QUESTIONS